

LOW PROFILE TUNNEL MACHINERY CART



LOW PROFILE TUNNEL MACHINERY CART

The DymaxRail Low Profile Tunnel Machinery Cart is an innovative rail equipment transport solution designed specifically for moving aerial lift equipment and compact machinery across rail networks with seamless side unloading. Built to meet the needs of transit authorities and maintenance crews, this cart enhances operational efficiency with its custom off-track wheel system, allowing quick removal from rail lines via truck transport.

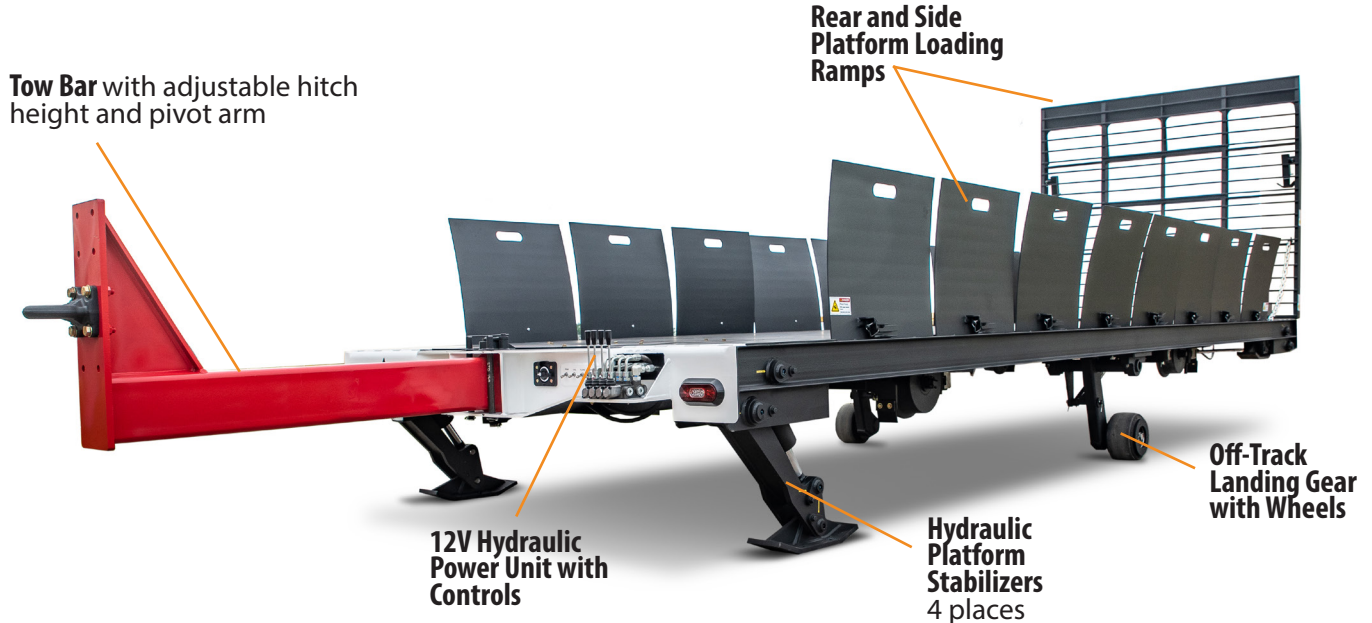
Works with Trucks or Hi-Rail Excavators

Key Features and Benefits:

- **High Strength Frame & Deck:** Reinforced steel frame with twin-beam construction for enhanced durability. Designed to withstand heavy-duty transit applications with long-lasting performance. Available in 10-ton and 20-ton capacity models.
- **Off-Track Landing Gear for FAST TRACK Access:** Innovative rubber wheels allow for quick unloading from the rail. No lifting required – operators can easily roll the cart off the track and park it overnight. Equipment must be unloaded before removal.
- **Adjustable Pivoting Tow Bar:** Designed for easy loading and unloading of the cart onto rails. Compatible with trucks and towing vehicles for seamless transport.
- **Side Platform & Rear Ramps:** Manual side ramps lower to transit platforms for smooth equipment & material off-loading. Rear hydraulic ramp ensures effortless loading and unloading.



TUNNEL MACHINERY CART - 10 & 20 TON



Group No: Model Number	Max Load Rating (US Tons)	Weight (lbs)
Carts Listed are for Standard Gauge: 1435mm / 56.50 inches.		
TUNNEL MACHINERY CARTS		
7436D2: DX-RC-MACT-8x25-DMX-10TC - Tunnel Machinery Cart with Off-Track Landing Gear TRANSPORT SIZE: Width: 8 feet 6 inches / Length: 31 feet Deck width: 96 inches / Usable Deck Length: 25 feet	10	10,050
8454D2: DX-RC-MACT-8x25-DMX-20TC - Tunnel Machinery Cart with Off-Track Landing Gear TRANSPORT SIZE: Width: 8 feet 6 inches / Length: 31 feet Deck width: 96 inches / Usable Deck Length: 25 feet	20	13,500

Design and specifications are subject to change without notice.

All carts listed feature non-insulated railgear and are suited for standard gauge track 56.50 inches (1435mm). Custom solutions are available for narrow and wide track gauges. Contact DymaxRail Sales 1-800-530-5407 for special applications and options.

Landing Gear

Faster track access with no lifting



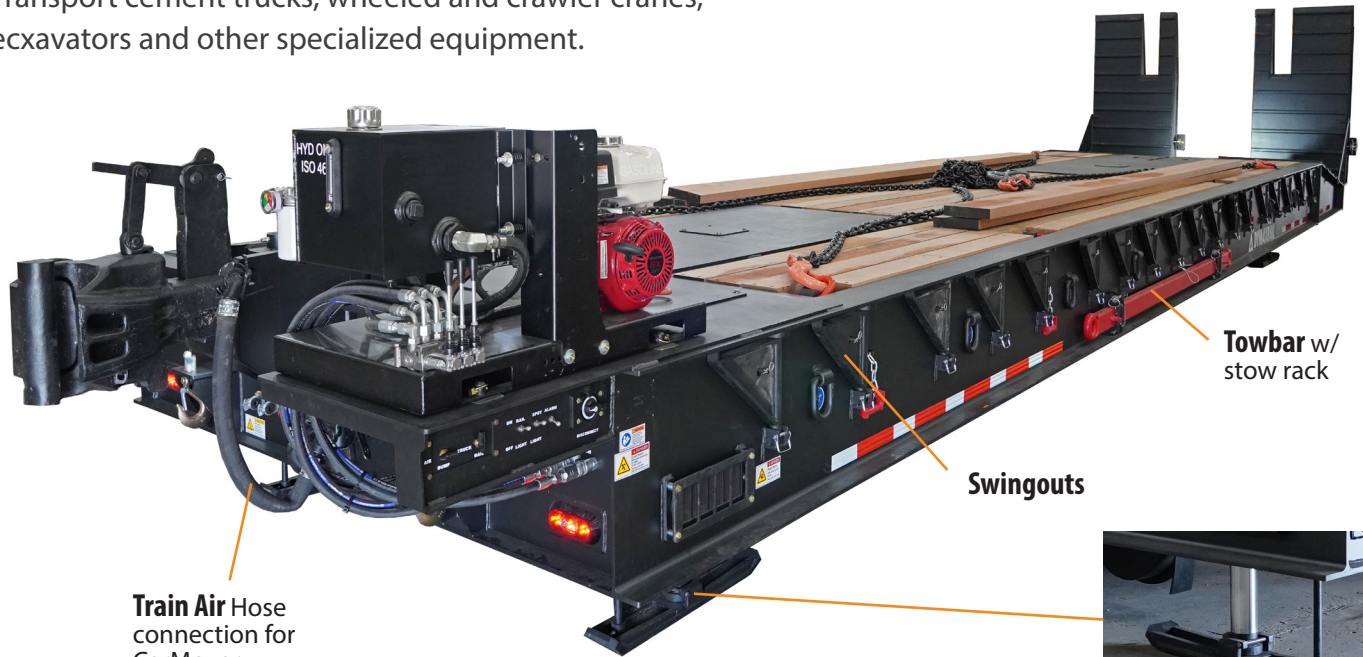
DYMAXRAIL
402 Miller Drive
Wamego, KS 66547 USA

Toll Free: 800.530.5407 (USA/CAN)
Office: +1.785.456.2081
Fax: +1.785.456.8328

www.DYMAXRAIL.com
sales@DYMAXRAIL.com

ALLPURPOSE MACHINERY CART - 50 & 100 TON

Transport cement trucks, wheeled and crawler cranes, excavators and other specialized equipment.



Towbar w/ stow rack

Swingouts

Train Air Hose connection for CarMover



4 - Hydraulic Stabilizers
Stability Enhanced

Apitong Wood Deck with lift chains

Hydraulic Power Unit with controls



Control Panel
Main power switches



Truck Air Gladhand Connections

Car Knuckle w/manual latch



Hydraulic Ramps with rail pocket
Heavy duty ramps with grouser grab bars



DYMAXRAIL
402 Miller Drive
Wamego, KS 66547 USA

Toll Free: 800.530.5407 (USA/CAN)
Office: +1.785.456.2081
Fax: +1.785.456.8328

www.DYMAXRAIL.com
sales@DYMAXRAIL.com

Group No: Model Number Carts Listed are for Standard Gauge: 1435mm / 56.50 inches.	Special Features	Max Load Rating (US Tons)	Deck Height off rail (inches)	Weight (lbs)
EXCAVATOR TYPE MACHINERY CARTS				
6882D2: DX-RC-MAC-8ftx8ft6-DMX-06TC- Machinery Cart (Transport size) Width: 8 feet 6 inches / Length: 10 ft 3in <i>Deck width: 96 inches</i> <i>Useable Deck Length: 8 ft 6 inches</i> <i>Size suited for 6T excavators</i>	Steel decking 4 Wheel Air Brake Directional Lights Front rail clamps Removable car-hauler ramps with support legs 4 bolt pintle hitches 6ft towbar	06	20	3,600
7583D1: DX-RC-MAC-8ft6x25-DMX-40TC- Machinery Cart (Transport size) Width: 8 feet 6 inches / Length: 25 feet <i>Deck width: 101 inches</i> <i>Deck width with swingouts open: 129 inches</i> <i>Useable Deck Length: 242 inches</i> <i>Options Available: (Pin on railcar coupler adapter)</i>	Apitong Wood Decking 4 Wheel Air Brake Directional Lights Gasoline Power Unit Hydraulic Stabilizers Standard Tow Hitches Pintle Hitches + 6ft towbar Fixed ramp (Excavator)	40	23.3	16,140
ALL PURPOSE MACHINERY CARTS				
8453D1: DX-RC-MAC-8ft6x43-DMX-35TC - Machinery Cart (Transport Size) Width: 8 feet 6 inches / Length: 43 feet <i>Deck width: 102 inches</i> <i>Useable Deck Length: 40 feet / 480 inches</i> <i>Features (3) axles total; features rear twin bogie railgear</i>	Apitong Wood Decking Air Brakes (Train and Truck) Directional Lights Gas Hydraulic Power Unit Hydraulic Stabilizers Standard Tow Hitches Railcar Coupler (CarMover) 75T Pintle Hitches Hydraulic Ramps	35	23.35	20,500
7941D1: DX-RC-MAC-8ft6x39-DMX-50TC - Machinery Cart (Transport Size) Width: 8 feet 6 inches / Length: 39 feet <i>Deck width: 102 inches</i> <i>Deck width with swingouts open: 118 inches</i> <i>Useable Deck Length: 28 feet / 336 inches</i> <i>Features (4) axles total; twin bogie front and rear</i>		50	26	29,000
8257D1: DX-RC-MAC-9ft6x45-DMX-100TC - Machinery Cart (Transport Size) Width: 9 feet 6 inches / Length: 45 feet <i>Deck width: 115 inches</i> <i>Deck width with swingouts open: 135 inches</i> <i>Useable Deck Length: 36 feet / 432 inches</i> <i>Features (4) axles total; twin bogie front and rear</i>		100	32.3	42,160
Extra Wide Frame 8445D1: DX-RC-MAC-12ft4x45-DMX-100TC - Machinery Cart (Transport Size) Width: 12 feet 4 inches / Length: 45 feet <i>Deck width: 148 inches (12 feet-4 inches)</i> <i>Deck width with swingouts open: 135 inches</i> <i>Useable Deck Length: 36 feet / 432 inches</i> <i>Features (4) axles total; twin bogie front and rear</i>		100	32.3	52,500
Design and specifications are subject to change without notice.				
All carts listed feature non-insulated railgear and are suited for standard gauge track 56.50 inches (1435mm). Custom solutions are available for narrow and wide track gauges. Contact DymaxRail Sales 1-800-530-5407 for special applications and options.				



DYMAXRAIL | Toll Free: 800.530.5407 (USA/CAN)
 402 Miller Drive | Office: +1.785.456.2081
 Wamego, KS 66547 USA | Fax: +1.785.456.8328

www.DYMAXRAIL.com
sales@DYMAXRAIL.com